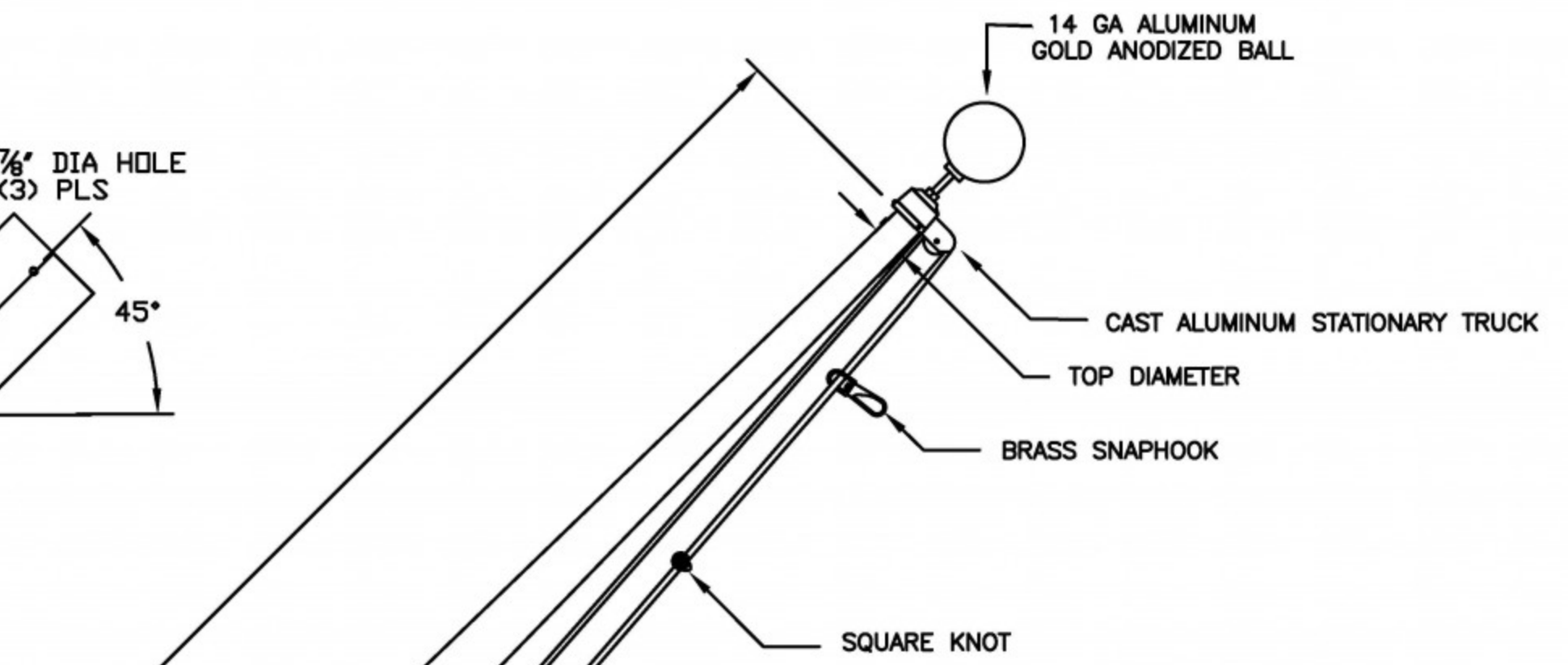
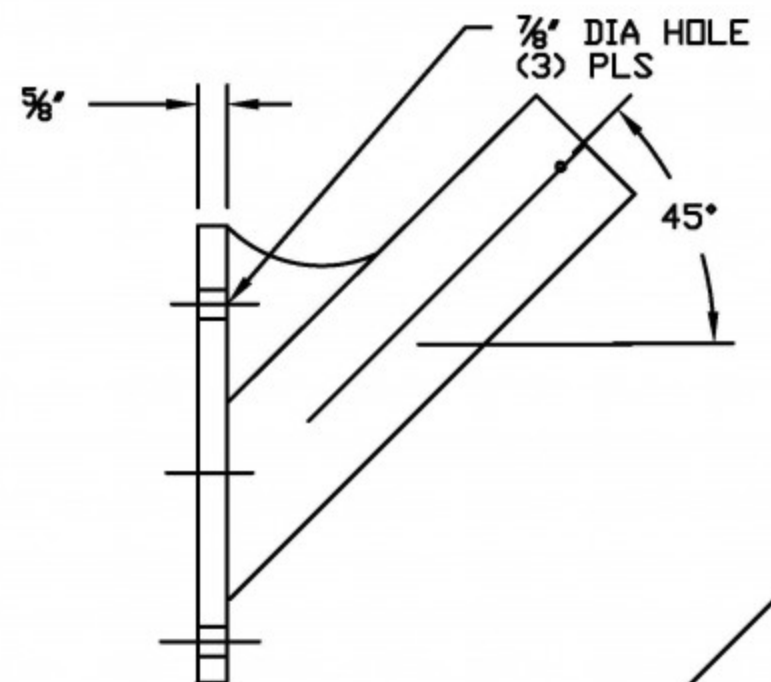


DETAIL—CAST ALUM
INNER SLEEVE



ALUMINUM ASTM B241 CONE TAPERED
ALLOY 6063-T6 SEAMLESS FLAGPOLE
WITH A POLISHED SATIN BRUSH FINISH

BRASS SNAPHOOK

10-5/16" DIA. BLACK
POLYPROPYLENE HALYARD

BUTT DIA x WALL THK

ST. STEEL EYEBOLT WITH DOUBLE BLOCK PULLEY,
DRILLED, TAPPED & FIELD MOUNTED BY INSTALLER

TAG LINE

EXCESS ROPE TO BE TIED
OFF TO CLEAT BELOW

CAST ALUMINUM INNER SLEEVE—45'

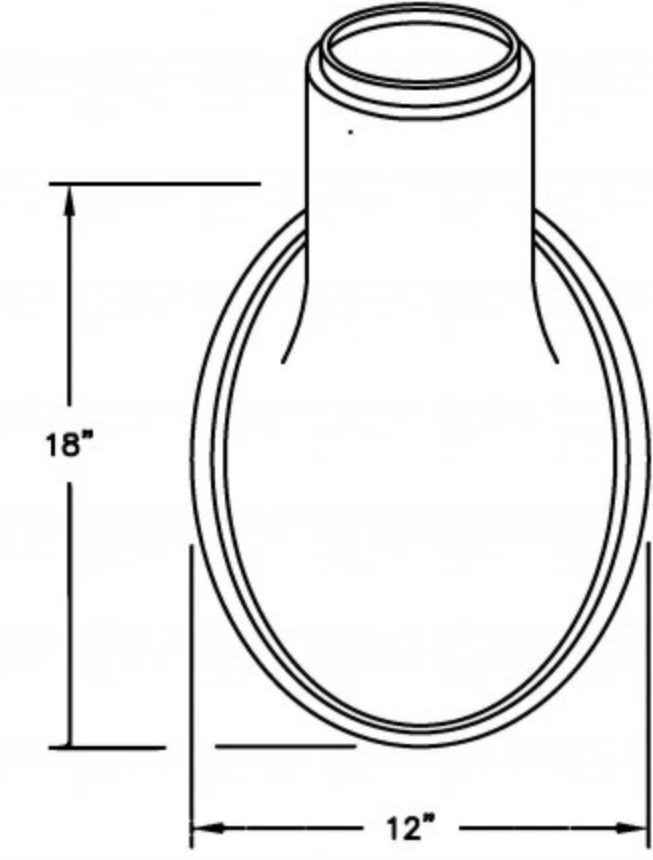
CAST ALUMINUM PO10 ESCUTCHEN—45'
FINISH TO MATCH POLE

THREE (3) 3/4" DIA. STAINLESS STEEL
BOLTS WITH S.S. NUTS, FLATWASHERS
AND LOCKWASHERS (BY INSTALLER)

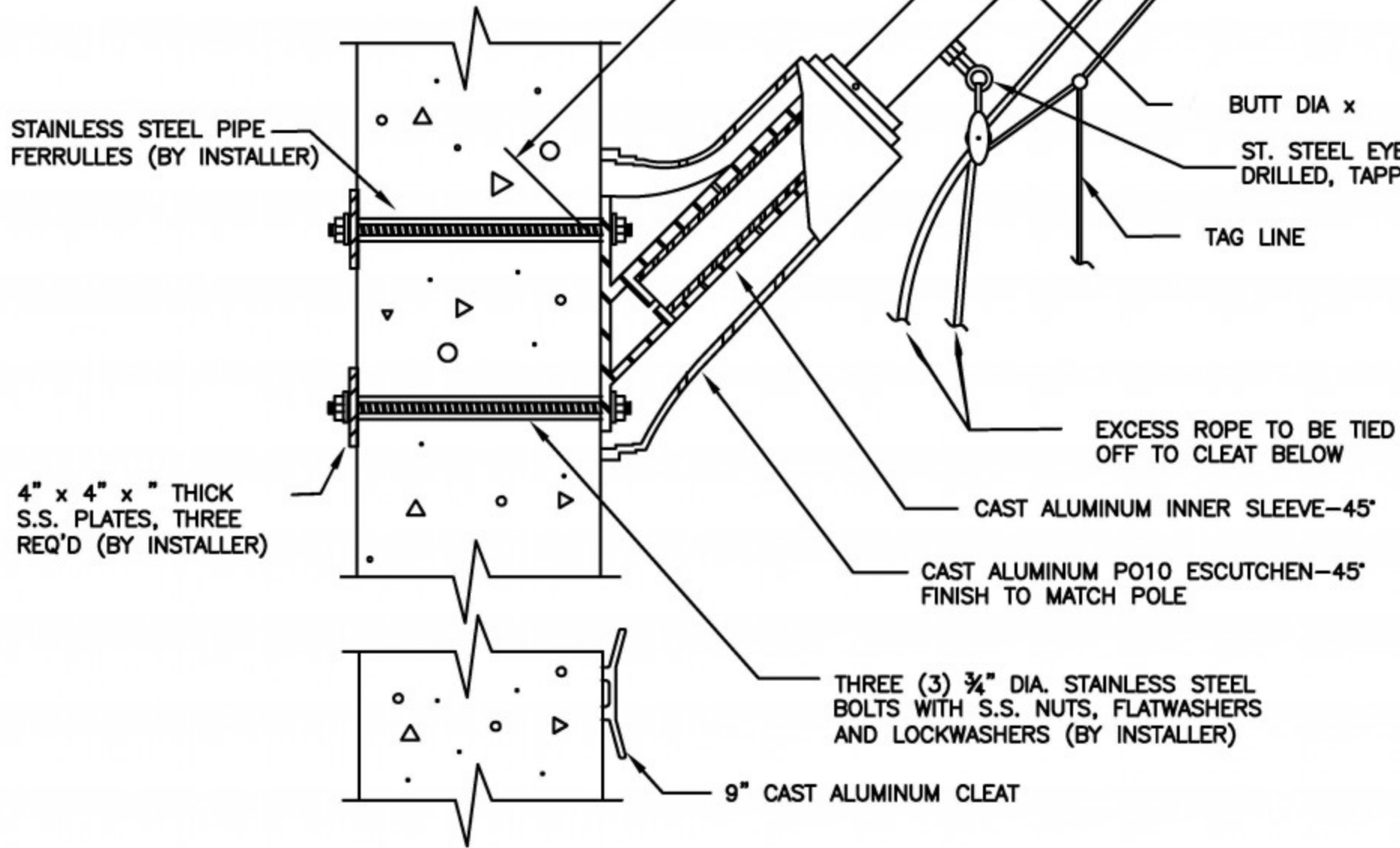
9" CAST ALUMINUM CLEAT

STAINLESS STEEL PIPE
FERRULES (BY INSTALLER)

4" x 4" x " THICK
S.S. PLATES, THREE
REQ'D (BY INSTALLER)



FRONT VIEW STYLE PO-10 BASE



SIDE ELEVATION—SECTION THROUGH WALL

PO-10 OUTRIGGER WALL MOUNTED FLAGPOLES